

Eaton 12V 120W battery



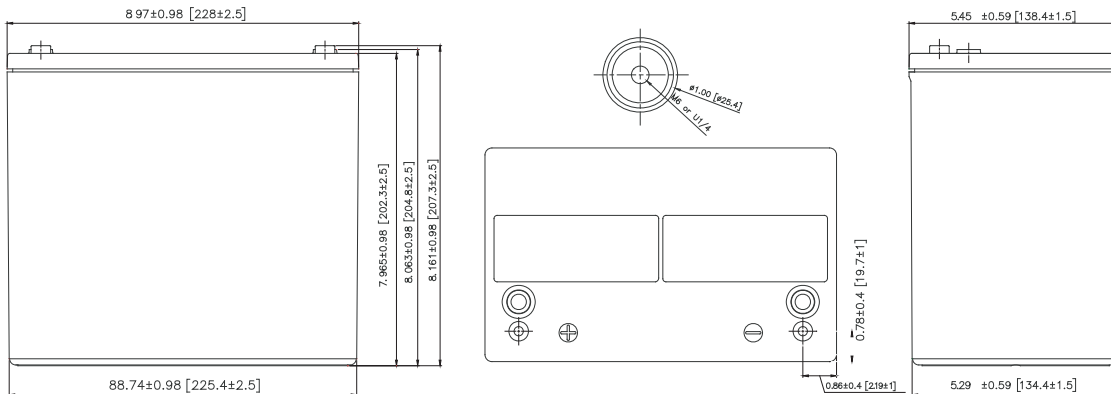
Features:

- Completely maintenance-free, sealed construction eliminates the need for watering
- Absorbed glass mat (AGM) design
- Valve regulated maximum internal pressure of 2.5 psi
- Recognized under UL 1989 and certified by ISO 9001 and ISO 14001
- Low self-discharge
- FAA and IATA approved as non-hazardous
- Built to comply with IEC 60896, DIN 473534, Eurobat
- Exclusive two-year battery parts coverage and one-year battery labor coverage (with option to purchase labor coverage for year 2)

CONSTANT POWER DISCHARGE CHARACTERISTICS: WATTS/CELL (77°F, 25°C)

End voltage (Volts/cell)	Discharge time (minutes) with constant power load (Watts/cell) at 77°F (25°C)									
	2 min	4 min	6 min	8 min	10 min	15 min	20 min	30 min	60 min	90 min
1.85 V	204	145	160	149	138	105	87	67	41	25
1.80 V	225	172	166	155	144	110	89	68	42	25
1.75 V	246	198	172	161	150	116	92	69	42	26
1.70 V	267	225	178	166	156	122	95	69	43	27
1.67 V	275	234	193	168	158	123	96	70	43	27
1.60 V	295	255	198	170	161	125	98	70	44	28

DIMENSIONS H x W x D in (mm)



EATON

Powering Business Worldwide

TECHNICAL SPECIFICATIONS

Cells (per battery)	6
Voltage (per battery)	12
Rating	120W @ 15 minute-rate to 1.67V per cell @ 77°F (25°C)
Weight	Approx. 22.49 lb. (10.20 kg)
Lead weight	Approx. 15.20 lb. (6.89 kg)
Maximum discharge current	400 A (5 seconds)
Short circuit current	928 A
Internal resistance (approximate)	Approx. 8.2 mΩ
*Operating temperature range	Discharge: -15°C to 50°C (5°F to 122°F) Charge: -15°C to 40°C (5°F to 104°F) Storage: -15°C to 40°C (5°F to 104°F)
Float charging voltage	13.5 to 13.8 VDC/unit Average at 77°F (25°C)
Container material	ABS
Dimensions	Length (L): 166.0 ± 2.0 mm 6.54 ± 0.08 inch Width (W): 125.0 ± 1.5 mm 4.92 ± 0.06 inch Container Height (H): 175.0 ± 2.0 mm 6.89 ± 0.08 inch Overall Height (H): 175.0 ± 2.0 mm 6.89 ± 0.08 inch

* It is recommended to keep the ambient air temperature the battery is used in at 25°C (77°F) for optimal battery life and discharge performance.



For more information, please visit
[Eaton.com/UPSbatteries](https://www.eaton.com/UPSbatteries)

Eaton
1000 Eaton Boulevard
Cleveland, OH 44122
United States
Eaton.com

© 2021 Eaton
All Rights Reserved
Printed in USA
Pub. No. BAT06FXA / GG
April 2021

Eaton is a registered trademark.

All other trademarks are property of their respective owners.